



The alternative to conventional systems

Philips Fortimo LED Line Low Voltage Systems Linear lighting simplified

Fortimo LED Line systems are designed to replace conventional lighting in both fixed and dimmable luminaires. They are characterized by breakthrough high energy efficiency levels, up to 135 Lm/W. Fortimo LED Line systems also offer high quality white light in terms of color rendition and color consistency and are part of the Fortimo future proof promise. The Fortimo LED Line portfolio consists of both a three (3R) and a one (1R) row LED module and a Philips Advance Xitanium driver.

The Fortimo LED Line 3R system has been designed to produce high efficacy, pure white light, for applications where diffuse lighting is desired. This is ideal for incorporating into luminaires for use in general office lighting, where energy efficiency and glare control are important.

The Fortimo LED Line 1R system has been designed with higher lumen output when compared to the 3R version, which makes it a better choice for higher ceiling applications. This enables the use of a wide variety of optics resulting in beams ranging from batwing to tight beam distribution, making it the better choice for the illumination of vertical surfaces or areas where high lighting levels are desired.

Benefits of Fortimo LED Line LV Systems:

- Flexible, configurable system allowing ease of upgrading conventional technology luminaires with LEDs.
- Minimal heatsink required often achieved within the luminaire design
- Average rated lifetime of 50,000 hours*, due to the combination of LEDs and special Philips phosphor technology.
- 5-year limited system warranty

Applications

- Offices
- Hospitality
- Anywhere linear fluorescents are applied today

* Average rated life is based on engineering data testing and probability analysis. The hours are at the B50, L70 point - 50,000 hours life with 70% lumen maintenance at Tc point of 56° C for 3R and 61° C for 1R.

PHILIPS
sense and simplicity

Module Performance Specifications*

Fortimo LED Line System (module and driver)	Approx Lumens ^{1, 2}	CRI ³	CCT (K) ⁴	Color Consistency (SDCM) ⁵	Module Rated Power (W) ⁶	Module Efficacy (lm/W)	Input Voltage (V) range	Module B50 L70 (Hours) T case max °C
Fortimo LED Line 1ft 650lm 830 3R LVI**	610	80	3000	3.5	5.1	120	30.1-33.1	56
Fortimo LED Line 1ft 650lm 835 3R LVI**	640	80	3500	3.5	5.1	127	30.1-33.1	56
Fortimo LED Line 1ft 650lm 840 3R LVI**	650	80	4000	3.5	5.1	129	30.1-33.1	56
Fortimo LED Line 1ft 650lm 850 3R LVI**	670	80	5000	3.5	5.1	132	30.1-33.1	56
Fortimo LED Line 1ft 1100lm 830 1R LVI+	1080	80	3000	3.5	9.1	119	31,2-33.9	61
Fortimo LED Line 1ft 1100lm 835 1R LVI+	1100	80	3500	3.5	9.1	121	31,2-33.9	61
Fortimo LED Line 1ft 1100lm 840 1R LVI+	1120	80	4000	3.5	9.1	124	31,2-33.9	61
Fortimo LED Line 1ft 1100lm 850 1R LVI+	1140	80	5000	3.5	9.1	126	31,2-33.9	61
Fortimo LED Line 1ft 1100lm 865 1R LVI+	TBD	TBD	TBD	TBD	TBD	TBD	TBD	TBD

* Current specifications are subject to change, for the latest specifications, please contact your local Philips sales representative.

** All specifications defined at Tcase 35° C, current 160mA

+ All specifications defined at Tcase 35° C, current 280mA

1. Photometric testing consistent with CIE 127:2007 2nd Edition 4. 3000K = +/-100K, 3500K = +/-120K, 4000K = +/-140K, 5000K = +/-160K

2. Production units fall between +/-7.5% of listed values 5. Production units will fall between +/- 0.2 of listed value

3. All CRI are 80 or above 6. Product units fall between +/-10%

System Performance Specifications*

1100lm 1R

Fortimo LED Line 1ft 830					System Efficacy	
Driver	Number of LED Lines	Current (mA)	Rset 2 (Ohms)	Approx. Lumen Output	@ 120V (lm/W) ³	@ 277V (lm/W) ³
75W	3	840	2483	3180	101	102
75W	4	1120	4141	4240	102	103
75W	5	1400	6775	5300	102	104
75W	6	1680	11652	6360	102	104
75W	7	1960	23700	7420	101	104
Fortimo LED Line 1ft 835					System Efficacy	
Driver	Number of LED Lines	Current (mA)	Rset 2 (Ohms)	Approx. Lumen Output	@ 120V (lm/W) ³	@ 277V (lm/W) ³
75W	3	840	2483	3240	103	104
75W	4	1120	4141	4320	104	105
75W	5	1400	6775	5400	104	106
75W	6	1680	11652	6480	103	106
75W	7	1960	23700	7560	103	106
Fortimo LED Line 1ft 840					System Efficacy	
Driver	Number of LED Lines	Current (mA)	Rset 2 (Ohms)	Approx. Lumen Output ^{1, 2}	@ 120V (lm/W) ³	@ 277V (lm/W) ³
75W	3	840	2483	3300	105	106
75W	4	1120	4141	4400	106	107
75W	5	1400	6775	5500	106	108
75W	6	1680	11652	6600	105	108
75W	7	1960	23700	7700	105	108
Fortimo LED Line 1ft 850					System Efficacy	
Driver	Number of LED Lines	Current (mA)	Rset 2 (Ohms)	Approx. Lumen Output ^{1, 2}	@ 120V (lm/W) ³	@ 277V (lm/W) ³
75W	3	840	2483	3360	107	108
75W	4	1120	4141	4480	107	109
75W	5	1400	6775	5600	108	110
75W	6	1680	11652	6720	107	110
75W	7	1960	23700	7840	107	109

* Current specifications are subject to change, for the latest specifications, please contact your local Philips sales representative.

1. Photometric testing consistent with CIE 127:2007 2nd Edition

2. Production units fall between +/-7.5% of listed values

3. System Efficacy = driver efficacy x module efficacy

System Performance Specifications*

1100lm IR

Fortimo LED Line 1ft 830					System Efficacy	
Driver	Number of LED Lines	Current (mA)	LED Line Cable	Approx. Lumen Output 1, 2	@ 120V (lm/W) ³	@ 277V (lm/W) ³
55W	4	843	2K5 Ω	3290	105	106
55W	4	1085	3K9 Ω	4125	102	103
55W	6	843	2K5 Ω	3440	113	113
55W	6	1085	3K9 Ω	4310	110	111
55W	6	1238	5K1 Ω	4850	108	109
55W	6	1454	7K5 Ω	5595	104	106
55W	6	1550	9K1 Ω	5925	103	105
Fortimo LED Line 1ft 835					System Efficacy	
Driver	Number of LED Lines	Current (mA)	LED Line Cable	Approx. Lumen Output 1, 2	@ 120V (lm/W) ³	@ 277V (lm/W) ³
55W	4	843	2K5 Ω	3355	107	108
55W	4	1085	3K9 Ω	4205	104	105
55W	6	843	2K5 Ω	3505	115	115
55W	6	1085	3K9 Ω	4390	112	113
55W	6	1238	5K1 Ω	4940	110	111
55W	6	1454	7K5 Ω	5700	106	108
55W	6	1550	9K1 Ω	6035	105	107
Fortimo LED Line 1ft 840					System Efficacy	
Driver	Number of LED Lines	Current (mA)	LED Line Cable	Approx. Lumen Output 1, 2	@ 120V (lm/W) ³	@ 277V (lm/W) ³
55W	4	843	2K5 Ω	3415	109	110
55W	4	1085	3K9 Ω	4280	105	107
55W	6	843	2K5 Ω	3570	117	117
55W	6	1085	3K9 Ω	4470	114	115
55W	6	1238	5K1 Ω	5030	112	113
55W	6	1454	7K5 Ω	5805	108	110
55W	6	1550	9K1 Ω	6145	107	109
Fortimo LED Line 1ft 850					System Efficacy	
Driver	Number of LED Lines	Current (mA)	LED Line Cable	Approx. Lumen Output 1, 2	@ 120V (lm/W) ³	@ 277V (lm/W) ³
55W	4	843	2K5 Ω	3475	111	112
55W	4	1085	3K9 Ω	4355	107	108
55W	6	843	2K5 Ω	3635	119	119
55W	6	1085	3K9 Ω	4550	116	117
55W	6	1238	5K1 Ω	5120	114	115
55W	6	1454	7K5 Ω	5910	110	112
55W	6	1550	9K1 Ω	6255	109	111

* Current specifications are subject to change, for the latest specifications, please contact your local Philips sales representative.

1. Photometric testing consistent with CIE 127:2007 2nd Edition

2. Production units fall between +/-7.5% of listed values

3. System Efficacy = driver efficacy x module efficacy

System Performance Specifications*

650lm 3R

Fortimo LED Line 1ft 830					System Efficacy	
Driver	Number of LED Lines	Current (mA)	Rset 2 (Ohms)	Approx. Lumen Output ^{1, 2}	@ 120V (lm/W) ³	@ 277V (lm/W) ³
75W	5	800	2293	3025	103	104
75W	6	960	3111	3630	103	105
75W	7	1120	4141	4235	104	105
75W	8	1280	5481	4840	104	106
75W	9	1440	7311	5445	104	106
75W	10	1600	9919	6050	104	106
75W	11	1760	13964	6655	103	106
75W	12	1920	21116	7260	103	106
Fortimo LED Line 1ft 835					System Efficacy	
Driver	Number of LED Lines	Current (mA)	Rset 2 (Ohms)	Approx. Lumen Output ^{1, 2}	@ 120V (lm/W) ³	@ 277V (lm/W) ³
75W	5	800	2293	3200	109	110
75W	6	960	3111	3840	109	111
75W	7	1120	4141	4480	110	111
75W	8	1280	5481	5120	110	112
75W	9	1440	7311	5760	110	112
75W	10	1600	9919	6400	110	112
75W	11	1760	13964	7040	109	112
75W	12	1920	21116	7680	109	112
Fortimo LED Line 1ft 840					System Efficacy	
Driver	Number of LED Lines	Current (mA)	Rset 2 (Ohms)	Approx. Lumen Output ^{1, 2}	@ 120V (lm/W) ³	@ 277V (lm/W) ³
75W	5	800	2293	3250	110	111
75W	6	960	3111	3900	111	112
75W	7	1120	4141	4550	111	113
75W	8	1280	5481	5200	112	114
75W	9	1440	7311	5850	112	114
75W	10	1600	9919	6500	111	114
75W	11	1760	13964	7150	111	114
75W	12	1920	21116	7800	111	114
Fortimo LED Line 1ft 850					System Efficacy	
Driver	Number of LED Lines	Current (mA)	Rset 2 (Ohms)	Approx. Lumen Output ^{1, 2}	@ 120V (lm/W) ³	@ 277V (lm/W) ³
75W	5	800	2293	3325	113	114
75W	6	960	3111	3990	114	115
75W	7	1120	4141	4655	114	116
75W	8	1280	5481	5320	114	116
75W	9	1440	7311	5985	114	116
75W	10	1600	9919	6650	114	117
75W	11	1760	13964	7315	114	117
75W	12	1920	21116	7980	113	116

* Current specifications are subject to change, for the latest specifications, please contact your local Philips sales representative.

1. Photometric testing consistent with CIE 127:2007 2nd Edition

2. Production units fall between +/-7.5% of listed values

3. System Efficacy = driver efficacy x module efficacy

System Performance Specifications*

650lm 3R

Fortimo LED Line 1ft 830					System Efficacy	
Driver	Number of LED Lines	Current (mA)	LED Line Cable	Approx. Lumen Output ^{1, 2}	@ 120V (lm/W) ³	@ 277V (lm/W) ³
55W	4	843	2K5 Ω	3110	97	97
55W	6	843	2K5 Ω	3260	104	105
55W	6	1085	3K9 Ω	4075	101	102
55W	8	843	2K5 Ω	3370	109	109
55W	8	1085	3K9 Ω	4215	106	107
55W	8	1238	5K1 Ω	4735	104	106
55W	8	1454	7K5 Ω	5455	101	103
55W	10	843	2K5 Ω	3455	113	113
55W	10	1085	3K9 Ω	4320	110	111
55W	10	1238	5K1 Ω	4855	108	110
55W	10	1454	7K5 Ω	5600	105	107
55W	10	1550	9K1 Ω	5925	104	106
Fortimo LED Line 1ft 835					System Efficacy	
Driver	Number of LED Lines	Current (mA)	LED Line Cable	Approx. Lumen Output ^{1, 2}	@ 120V (lm/W) ³	@ 277V (lm/W) ³
55W	4	843	2K5 Ω	3275	102	103
55W	6	843	2K5 Ω	3430	110	110
55W	6	1085	3K9 Ω	4290	106	107
55W	8	843	2K5 Ω	3550	115	115
55W	8	1085	3K9 Ω	4435	112	113
55W	8	1238	5K1 Ω	4985	110	111
55W	8	1454	7K5 Ω	5745	107	109
55W	10	843	2K5 Ω	3635	119	119
55W	10	1085	3K9 Ω	4545	116	117
55W	10	1238	5K1 Ω	5110	114	115
55W	10	1454	7K5 Ω	5895	111	113
55W	10	1550	9K1 Ω	6240	110	112
Fortimo LED Line 1ft 840					System Efficacy	
Driver	Number of LED Lines	Current (mA)	LED Line Cable	Approx. Lumen Output ^{1, 2}	@ 120V (lm/W) ³	@ 277V (lm/W) ³
55W	4	843	2K5 Ω	3340	104	105
55W	6	843	2K5 Ω	3500	112	112
55W	6	1085	3K9 Ω	4375	108	110
55W	8	843	2K5 Ω	3620	117	117
55W	8	1085	3K9 Ω	4525	114	115
55W	8	1238	5K1 Ω	5085	112	113
55W	8	1454	7K5 Ω	5860	109	111
55W	10	843	2K5 Ω	3710	121	121
55W	10	1085	3K9 Ω	4640	118	119
55W	10	1238	5K1 Ω	5215	116	118
55W	10	1454	7K5 Ω	6015	113	115
55W	10	1550	9K1 Ω	6365	112	114

System Performance Specifications*

650lm 3R

Fortimo LED Line 1ft 850					System Efficacy	
Driver	Number of LED Lines	Current (mA)	LED Line Cable	Approx. Lumen Output ^{1, 2}	@ 120V (lm/W) ³	@ 277V (lm/W) ³
55W	4	843	2K5 Ω	3415	107	107
55W	6	843	2K5 Ω	3580	115	115
55W	6	1085	3K9 Ω	4475	111	112
55W	8	843	2K5 Ω	3705	120	120
55W	8	1085	3K9 Ω	4630	117	117
55W	8	1238	5K1 Ω	5200	114	116
55W	8	1454	7K5 Ω	5995	111	114
55W	10	843	2K5 Ω	3795	124	124
55W	10	1085	3K9 Ω	4745	121	122
55W	10	1238	5K1 Ω	5335	119	120
55W	10	1454	7K5 Ω	6155	116	118
55W	10	1550	9K1 Ω	6510	114	117

* Current specifications are subject to change, for the latest specifications, please contact your local Philips sales representative.

1. Photometric testing consistent with CIE 127:2007 2nd Edition

2. Production units fall between +/-7.5% of listed values

3. System Efficacy = driver efficacy x module efficacy

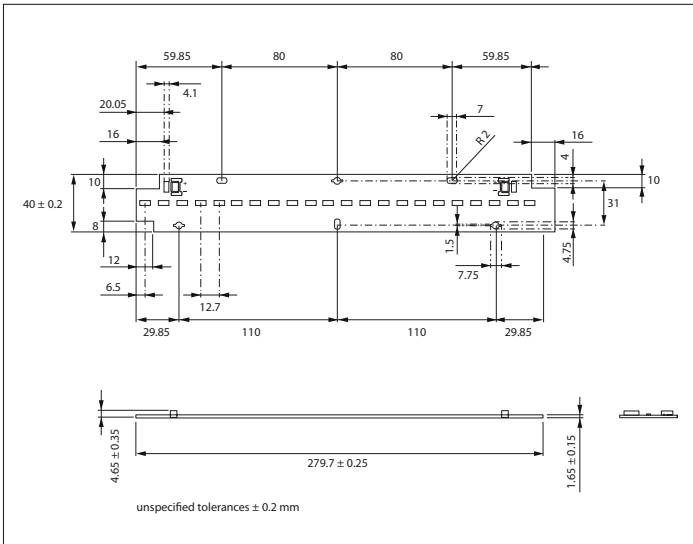
Fortimo LED Line 75W System Part Numbers

Fortimo Led Line System	Module Part Number	DALI Driver Part Number	0-10V Driver Part Number
Fortimo LED Line 1ft 830 IR	929000691503	XIO75C200V054YPT1M	XIO75C200V054XPT1M
Fortimo LED Line 1ft 835 IR	929000691603	XIO75C200V054YPT1M	XIO75C200V054XPT1M
Fortimo LED Line 1ft 840 IR	929000691703	XIO75C200V054YPT1M	XIO75C200V054XPT1M
Fortimo LED Line 1ft 850 IR	929000691803	XIO75C200V054YPT1M	XIO75C200V054XPT1M
Fortimo LED Line 1ft 830 3R	929000680903	XIO75C200V054YPT1M	XIO75C200V054XPT1M
Fortimo LED Line 1ft 835 3R	929000681003	XIO75C200V054YPT1M	XIO75C200V054XPT1M
Fortimo LED Line 1ft 840 3R	929000681103	XIO75C200V054YPT1M	XIO75C200V054XPT1M
Fortimo LED Line 1ft 850 3R	929000681203	XIO75C200V054YPT1M	XIO75C200V054XPT1M
Board to Board Cable Assembly		Part Number	
46mm B2B	929000681603		
115mm B2B	929000681703		
190mm B2B	929000681803		
Driver to Board Cable Assembly		Part Number	
600mm 1C LV	929000690303		
600mm 2C LV	929000690203		
Driver to Board Cable Assembly with Thermal Feedback		Part Number	
600mm 1C LV NTC	929000681403		
600mm 2C LV NTC	929000681303		

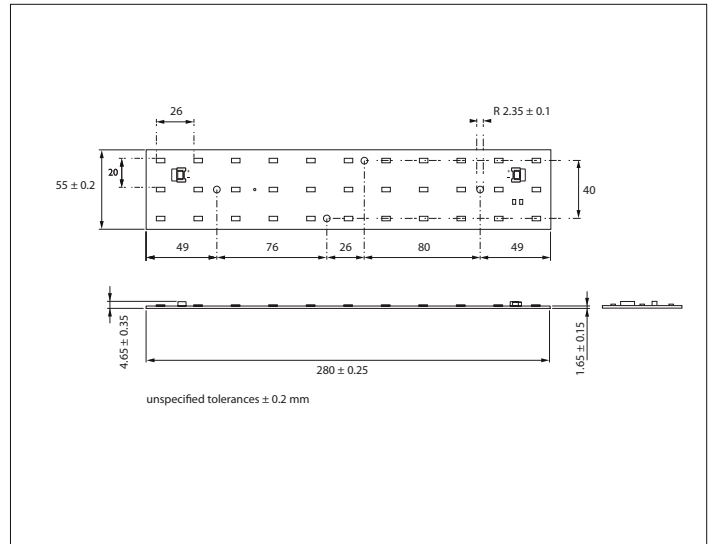
Fortimo LED Line 55W System Part Numbers

Fortimo Led Line System	Modules	Drivers
Fortimo LED Line 1ft 830 IR	929000691503	929000696103
Fortimo LED Line 1ft 835 IR	929000691603	929000696103
Fortimo LED Line 1ft 840 IR	929000691703	929000696103
Fortimo LED Line 1ft 850 IR	929000691803	929000696103
Fortimo LED Line 1ft 830 3R	929000680903	929000696103
Fortimo LED Line 1ft 835 3R	929000681003	929000696103
Fortimo LED Line 1ft 840 3R	929000681103	929000696103
Fortimo LED Line 1ft 850 3R	929000681203	929000696103
Board to Board Cable Assembly		Part Number
46mm B2B	929000681603	
115mm B2B	929000681703	
190mm B2B	929000681803	
Driver to Board Cable Assembly		Part Number
350mm 2K5 2C LV	929000804003	
350mm 3K9 2C LV	929000804203	
350mm 5K1 2C LV	929000804303	
350 mm 7K5 2C LV	929000804403	
350 mm 9K1 2C LV	929000804503	

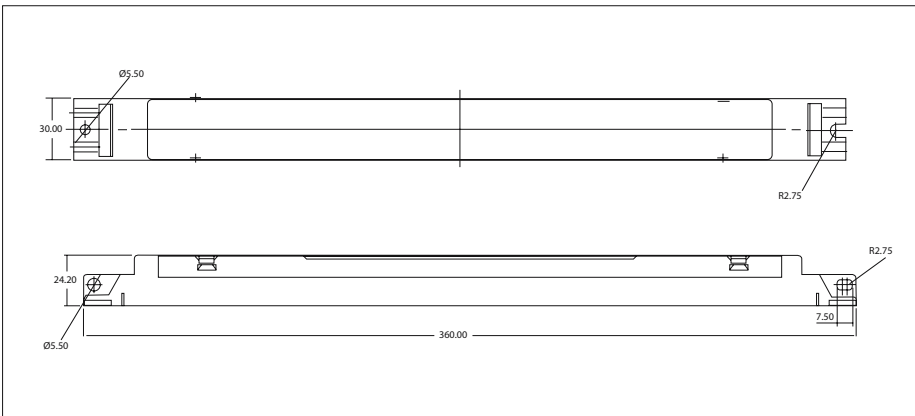
Dimensions (mm)



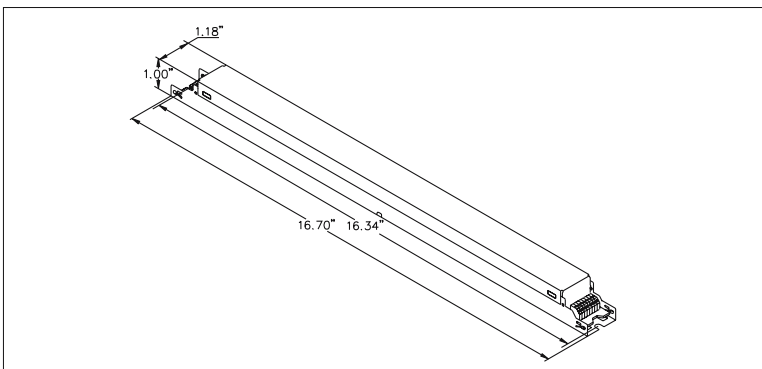
Fortimo LED Line 1ft IR LV Module



Fortimo LED Line 1ft 3R LV Module



Philips Advance 55W Xitanium Driver



Philips Advance 75W Xitanium Driver



©2012 Philips Lighting Electronics, N.A.,
A Division of Philips Electronics North America Corporation

All rights reserved.
Printed in the USA

Form No. LE-6560-B

Philips Lighting Electronics N.A.
10275 W. Higgins Road
Rosemont IL 60018
Tel: 800-322-2086 Fax: 888-423-1882
Customer Support/Customer Care: 800-372-3331
OEM Support: 866-915-5886
www.philips.com/ledmodulesna