

2. Seilspanner / Câble tenseur / Kabelspanner  
 Cable tensioner / Cavo tenditore / Cable tensor

2.1 Spanner / Tenseur / Spanner  
 Tensioner / Tenditore / Tensor




2-20003  C  
 2-20003M  CM  
 2-20003G  G

2.2 Halter / Support / Houder  
 Holder / Supporto / Soporte




2-20043  C  
 2-20043M  CM

2.3 Spannset 03 / Série de tension 03 /  
 Reeks spanning 03  
 Tensioning set 03 / Insieme di  
 tensionamento 03 / Sistema tensor 03




2-20045  C  
 2-20045M  CM  
 2-20045G  G

2.4 Spannset 01 / Série de tension 01 /  
 Reeks spanning 01  
 Tensioning set 01 / Insieme di  
 tensionamento 01 / Sistema tensor 01



2-21047  C



2.5 Spanner, Zentrum / Tenseur, centre /  
 Spanner, centrum  
 Tensioner, center / Tenditore, centro /  
 Tensor, centro



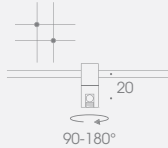

2-20005  C  
 2-20005M  CM  
 2-20005G  G

3. Kupplung / Raccord / Koppeling  
 Coupler / Raccordo / Acoplamiento

3.1 X-Kupplung / X-Raccord /  
 X-Koppeling  
 X-Coupler / X-Raccordo /  
 X-Acoplamiento






2-20080  C  
 2-20080M  CM  
 2-20080G  G



2-20078  C  
 2-20078M  CM  
 2-20078G  G


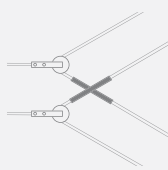
3.2 Kupplung, isolierend / Raccord,  
 isolant / Koppeling, isolierend  
 Coupler, isolating / Raccordo,  
 isolante / Acoplamiento, aislante

2-29014  C  
 2-29014M  CM  
 2-29014G  G

4. Seilrollen, Seil / Poulies, Câble / Katrollen, Kabel  
 Pulleys, Cable / Pulegge, Cavo / Poleas, Cable

4.1 Seilrollen, Seil / Poulies, Câble /  
 Katrollen, Kabel  
 Pulleys, cable / Pulegge, Cavo /  
 Poleas, Cable

2-20047  C  
 2-20047M  CM  
 2-20047G  G

4.2 Seilrollen, Wand / Poulies, Mur /  
 Katrollen, Muur  
 Pulleys, wall / Pulegge, Parete /  
 Poleas, Pared




2-20076  C  
 2-20076M  CM  
 2-20076G  G