





Typ B

6. Träger, Kupplung / Support, Raccord / Dräger, Koppeling
 Support, Coupler / Supporto, Raccordo / Soporte, Acoplamiento Typ B


6.1  



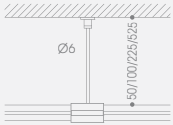
| | |
|------------|-------|
| 10-2051008 | 50mm |
| 10-2051108 | 100mm |
| 10-2051208 | 225mm |
| 10-2051308 | 525mm |



| | |
|------------|-------|
| 10-2050008 | 50mm |
| 10-2050108 | 100mm |
| 10-2050208 | 225mm |
| 10-2050308 | 525mm |



| | |
|------------|-------|
| 10-2052008 | 50mm |
| 10-2052108 | 100mm |
| 10-2052208 | 225mm |
| 10-2052308 | 525mm |



6.2 Schwenkkupplung / Raccord orientable / Zwenkkoppeling
 Adjustable coupler / Raccordo orientabile / Acoplamiento orientable



90 - 180°


 



| | |
|------------|-------|
| 10-2026008 | 50mm |
| 10-2026108 | 100mm |
| 10-2026208 | 225mm |
| 10-2026308 | 525mm |

| | |
|------------|-------|
| 10-2025008 | 50mm |
| 10-2025108 | 100mm |
| 10-2025208 | 225mm |
| 10-2025308 | 525mm |


6.3 T- / X-Kupplung / T- / X-Raccord / T- / X-Koppeling
 T- / X-Coupler / T- / X-Raccordo / T- / X-Acoplamiento





 

| T | X | |
|------------|------------|-------|
| 10-2061108 | 10-2059108 | 50mm |
| 10-2061208 | 10-2059208 | 100mm |
| 10-2061308 | 10-2059308 | 225mm |


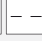
6.4 Träger, Kupplung / Support, raccord / Houder, Koppeling
 Support, Coupler / Baseffa, Raccordo / Soporte, Acoplamiento




40 x 26 x 24mm

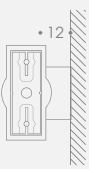
10-2076008


10-2075008




10-2074008




6.5 Schienenausleger / Bras de rail / Rail arm
 Track arm / Braccio della guida / Brazo del camil










10-2015108


▷ Wandabstand 200mm
 Wall distance

6.6 1500mm 



10-2047008  

10-2046008  

10-2045008 

6.7 Schwenkkupplung / Raccord orientable / Zwenkkoppeling
 Adjustable coupler / Raccordo orientabile / Acoplamiento orientable



90 - 180°

1500mm 

10-2023008  

10-2022008  


6.8 T- / X-Kupplung / T- / X-Raccord / T- / X-Koppeling
 T- / X-Coupler / T- / X-Raccordo / T- / X-Acoplamiento



1500mm 

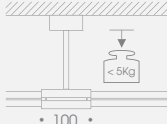
| T | X | |
|------------|------------|---|
| 10-2060008 | 10-2058008 |  |

7. Einspeisung, Decke / Alimentation, Plafond / Voeding, Plafond
 Supply connector, Ceiling / Alimentatore, soffitto / Alimentación, techo Typ B



Ø 82mm

| | |
|------------|-------|
| 10-2099008 | 50mm |
| 10-2099108 | 100mm |
| 10-2099208 | 225mm |
| 10-2099308 | 525mm |



8. Endstück / Embout de fermeture / Eindstuk
 End piece / Terminale / Pieza terminal Typ B



Schienenstück 100mm inkl. Endkappe / Track piece with end cap

22 x 8 x 100mm

10-2027008